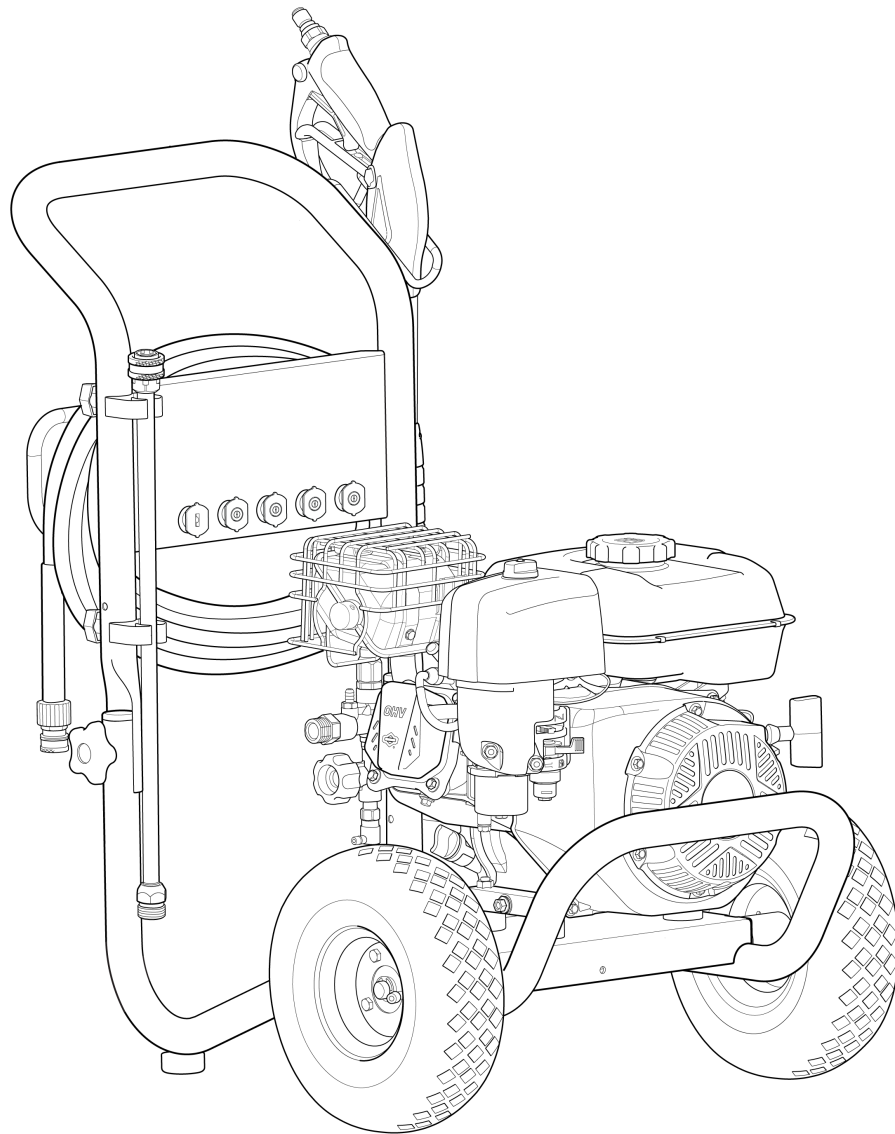




Parts Manual

Mfg. No: 020741-00
3,200 PSI Briggs & Stratton Elite



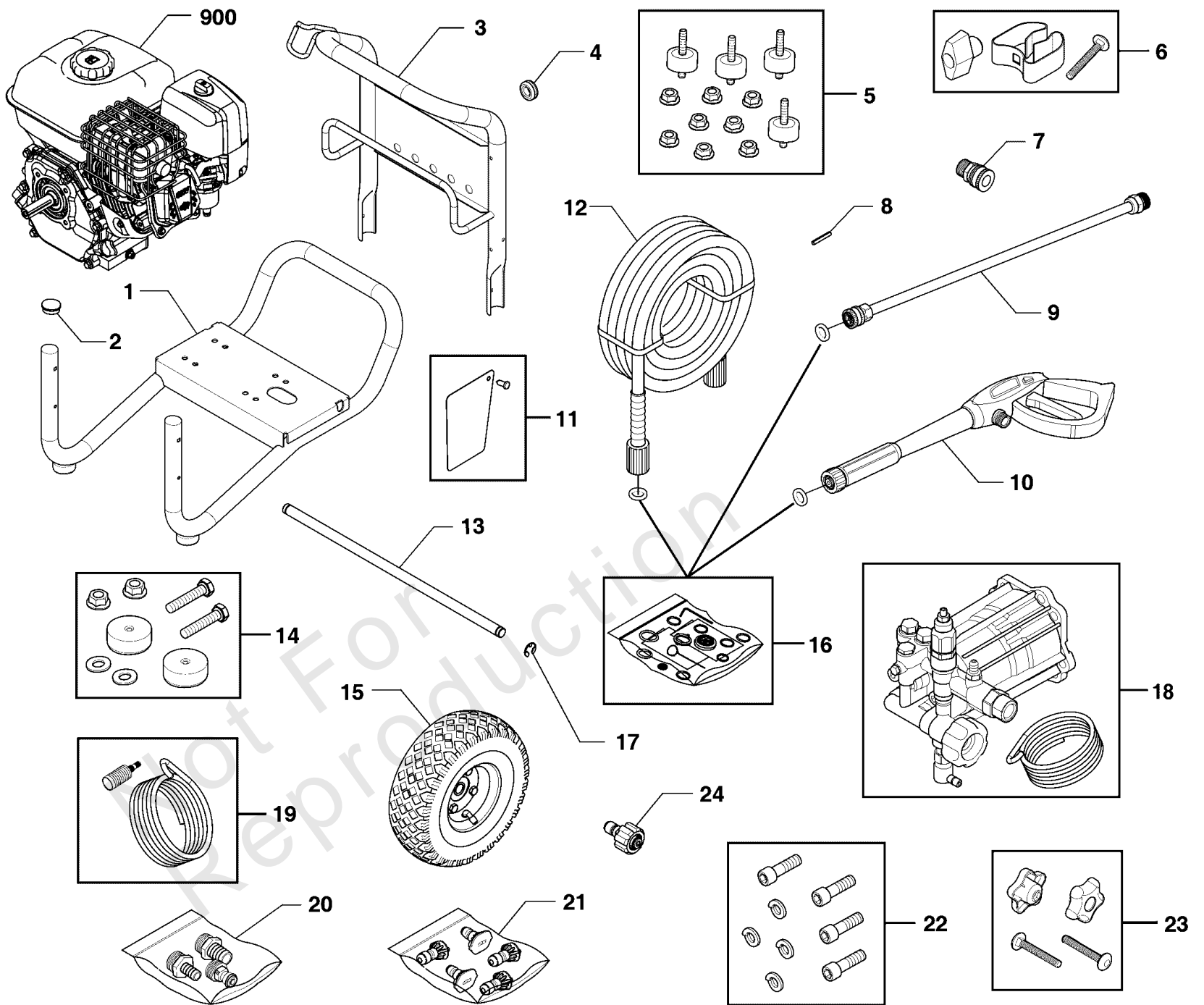
Model Components	Page
Main Unit.....	4
Pump.....	6
Torque Specification Chart.....	8

Not For
Reproduction

Main Unit

Note: Unless noted otherwise, use the standard torque specifications

Mfg. No: 020741-00



Main Unit

REF NO	PART NO	QTY	DESCRIPTION
1	771924		BASE -(Includes Item 2)
2	189332GS		PLUG, Hole
3	771931		HANDLE
4	30809GS		GROMMET
5	192194GS		ASSY, UNLOADER, COMPLETE
6	709493		KIT-CLIP
7	95518GS		QUICK CONNECT
8	23139DGS		KEY
9	707863		EXTENSION-QC
10	708810		GUN, BIT
11	706602		TAG-HANG, WARNING
12	84006995		HOSE
13	191267ABGS		AXLE
14	192310GS		KIT, Vibration Mount
15	209885GS		WHEEL
16	705001		KIT-O-RING
17	703977		E-RING
18	708920		PUMP
19	192796GS		KIT, Chem Hose & Filter
20	706878		KIT-GARDEN HOSE
	192014GS		FITTING, 1/2
--	192015GS		FITTING, 3/4
--	95456GPGS		QUICK CONNECT
21	84001670		KIT, QC Nozzles
--	195983AAGS		NOZZLE-QC RED
--	195983ABGS		Nozzle, QC, Yellow
--	195983UGS		Nozzle, QC, Green
--	195983RGS		NOZZLE-QC WHITE (BUSE-RACCORDES RAPIDES BLANCHE)
--	198841GS		NOZZLE, QC, Black
22	192131GS		KIT, Hardware, Pump Mounting
23	771829		PLATE
24	95519GS		QUICK CONNECT
900	13R232-0002-H1		ENGINE -(Refer to Note:*)
--	6039		PUMP SAVER -(Optional Accessory - Not Included)
--	6059		PERFECT MIX MULTI-PURPOSE WASH -(Optional Accessory - Not Included)
--	6060		PERFECT MIX CONCRETE BRICK & TILE CLEANER -(Optional Accessory - Not Included)

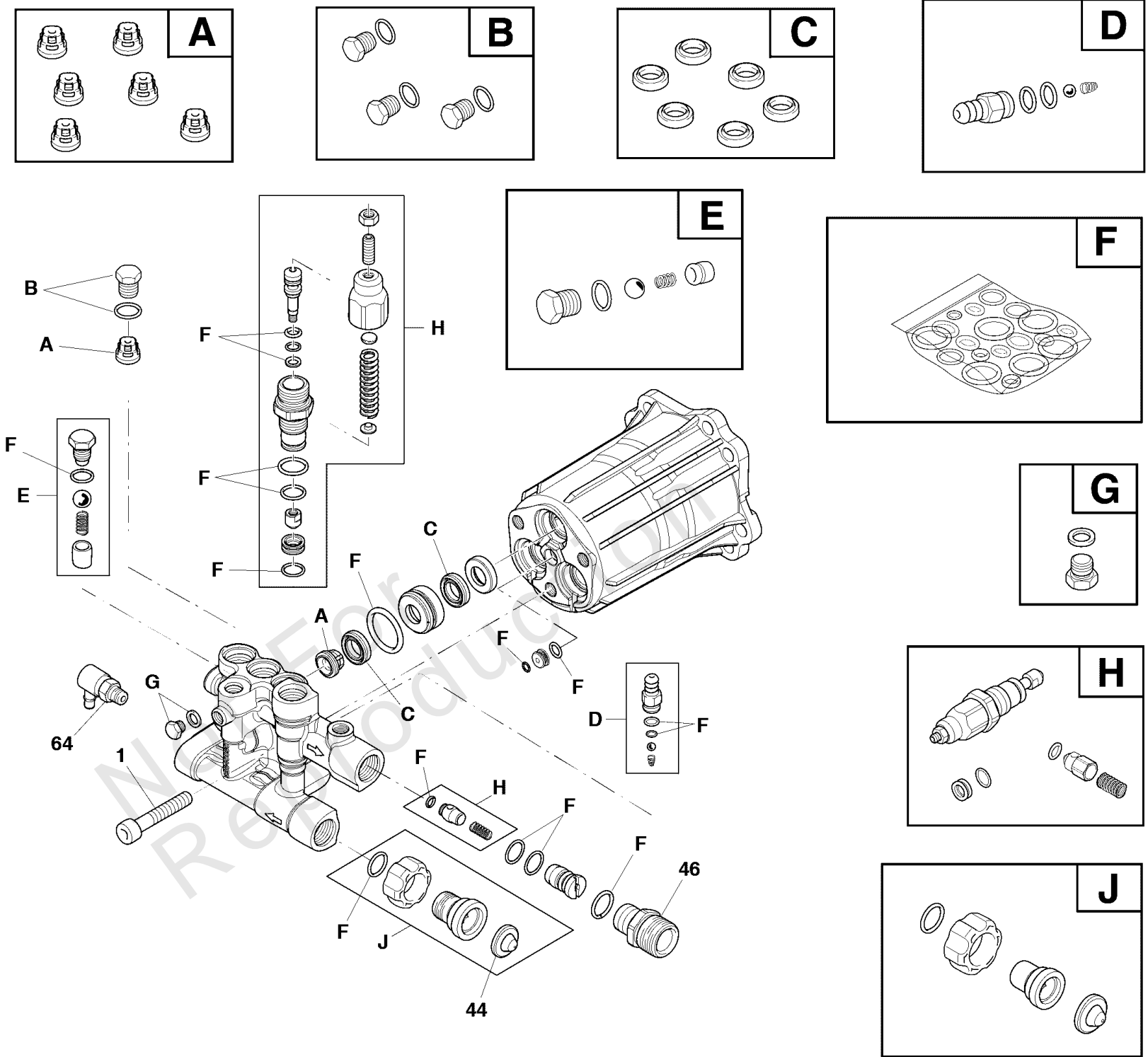
Footnotes:

Note:* Verify your specific engine model, reference the ID Tag located on your engine. Refer to your local Briggs & Stratton distributor for parts and service.

Pump

Note: Unless noted otherwise, use the standard torque specifications

Mfg. No: 020741-00



Pump

REF NO	PART NO	QTY	DESCRIPTION
1	204087GS	3	SCREW
44	B2384GS	1	FILTER, Garden Hose
46	204083GS	1	FITTING, Outlet
64	208673GS	1	VALVE, Thermal Relief
A	204082GS		*KIT, Check Valve
B	317056GS		* KIT, Plug
C	204084GS		* KIT, Water Seals
D	707768		KIT-CHEMICAL INJ
E	317788GS		*KIT, Easy Start
F	317843GS		*KIT, O-Ring
G	200350GS		* KIT, Grub Screw & Washer
H	706610		* KIT, Unloader
J	204085GS		* KIT, Water Inlet
--	6039		PUMP Saver -(Optional Accessory - Not Included)
--	6059		PERFECT MIX MULTI-PURPOSE WASH -(Optional Accessory - Not Included)
--	6160		Project Pro® PerfectMix Concrete, Brick, And Tile Cleaner -(Optional Accessory - Not Included)

Footnotes:

* Service Kit includes all parts shown in box.

Hardware Identification & Torque Specifications

Torque Specification Chart								
FOR STANDARD METRIC MACHINE HARDWARE (Tolerance ± 20%)								
Property Class	5.6		8.8		10.9		12.9	
	Class 5.6		Class 8.8		Class 10.9		Class 12.9	
Size Of Hardware	in/lbs	Nm.	in/lbs	Nm.	in/lbs	Nm.	in/lbs	Nm.
	ft/lbs		ft/lbs		ft/lbs		ft/lbs	
M3	5.88	.56	13.44	1.28	19.2	1.80	22.92	2.15
M4	13.44	1.28	30.72	2.90	43.44	4.10	52.56	4.95
M5	26.4	2.50	60.96	5.75	5.97	8.10	7.15	9.7
M6	44.64	4.3	7.3	9.9	10.3	14	12.1	16.5
M7	5.2	7.1	12.1	16.5	16.9	23	19.9	27
M8	7.7	10.5	17.7	24	25	34	29	40
M10	15	21	35	48	50	67	59	81
M12	26	36	61	83	86.2	117	103	140
M14	42	58	101	132	136	185	162	220
M16	64	88	147	200	210	285	250	340
M18	89	121	202	275	287	390	346	470
M20	126	171	290	390	405	550	486	660
M22	169	230	390	530	559	745	656	890
M24	217	295	497	375	708	960	840	1140
M27	320	435	733	995	1032	1400	1239	1680
M30	435	590	995	1350	1401	1900	1681	2280
M33	590	800	1349	1830	1902	2580	2278	3090
M36	759	1030	1740	2360	2441	3310	2935	3980
M39	988	1340	2249	3050	3163	4290	3798	5150

Torque Specification Chart						
FOR STANDARD MACHINE HARDWARE (Tolerance ± 20%)						
Hardware Grade	No Marks		SAE Grade 5		SAE Grade 8	
	SAE Grade 2		SAE Grade 5		SAE Grade 8	
Size Of Hardware	in/lbs	Nm.	in/lbs	Nm.	in/lbs	Nm.
	ft/lbs		ft/lbs		ft/lbs	
8-32	19	2.1	30	3.4	41	4.6
8-36	20	2.3	31	3.5	43	4.9
10-24	27	3.1	43	4.9	60	6.8
10-32	31	3.5	49	5.5	68	7.7
1/4-20	66	7.6	8	10.9	12	16.3
1/4-28	76	8.6	10	13.6	14	19.0
5/16-18	11	15.0	17	23.1	25	34.0
5/16-24	12	16.3	19	25.8	29	34.0
3/8-16	20	27.2	30	40.8	45	61.2
3/8-24	23	31.3	35	47.6	50	68.0
7/16-14	30	40.8	50	68.0	70	95.2
7/16-20	35	47.6	55	74.8	80	108.8
1/2-13	50	68.0	75	102.0	110	149.6
1/2-20	55	74.8	90	122.4	120	163.2
9/16-12	65	88.4	110	149.6	150	204.0
9/16-18	75	102.0	120	163.2	170	231.2
5/8-11	90	122.4	150	204.0	220	299.2
5/8-18	100	136	180	244.8	240	326.4
3/4-10	160	217.6	260	353.6	386	525.0
3/4-16	180	244.8	300	408.0	420	571.2
7/8-9	140	190.4	400	544.0	600	816.0
7/8-14	155	210.8	440	598.4	660	897.6
1-8	220	299.2	580	788.8	900	1,244.0
1-12	240	326.4	640	870.4	1,000	1,360.0

The guides and ruler furnished below are designed to help you select the appropriate hardware.



Nut, M8

Thread Diameter (mm)

Inside Diameter (in) Threads per inch

Nut, 1/2-16



Screw, M8- 1.25 x 25

Thread Diameter (mm) Distance between threads (mm) Body Length (mm)

Body Diameter Threads per inch Body Length (in)

Screw, 1/2- 16 x 2



Standard Hardware Sizing

When a washer or nut is identified as 1/2" (M8), this is the *Nominal size*, meaning the *inside diameter* is 1/2 inch (8mm metric thread diameter); if a second number is present it represents the *threads per inch* (distance between threads).

When bolt or capscrew is identified as 1/2 - 16 x 2" (M8 - 1.25 x 50), this means the *Nominal size*, or body diameter is 1/2 inch (8mm metric thread diameter), the second number, 16, represents the *threads per inch*, (*distance between threads*). The final number is the body length of the bolt or screw, 2 inches (50mm).

NOTES

- These torque values are to be used for all hardware excluding: locknuts, self-tapping screws, thread forming screws, sheet metal screws and socket head setscrews.
- Recommended seating torque values for locknuts:
 - for prevailing torque locknuts - use 65% of grade 5 torques.
 - for flange whizlock nuts and screws - use 135% of grade 5 torques.
- Unless otherwise noted on assembly drawings, all torque values must meet this specification.

Common Hardware Types

Hex Head Capscrew



Washer



Carriage Bolt



Hex Nut

Wrench & Fastener Size Guide

1/4" Bolt or Nut Wrench—7/16"	5/16" Bolt or Nut Wrench—1/2"	3/8" Bolt or Nut Wrench—9/16"	7/16" Bolt or Nut Wrench (Bolt)—5/8" Wrench (Nut)—11/16"	1/2" Bolt or Nut Wrench—3/4"
M6 Bolt or Nut Wrench—10mm	M8 Bolt or Nut Wrench—13mm	M10 Bolt or Nut Wrench—17mm	M12 Bolt or Nut Wrench—19mm	M14 Bolt or Nut Wrench—22mm

